



**Cambridge International Examinations**  
Cambridge International General Certificate of Secondary Education

CANDIDATE  
NAME

CENTRE  
NUMBER

--	--	--	--	--

CANDIDATE  
NUMBER

--	--	--	--



**PHYSICS**

**0625/61**

Paper 6 Alternative to Practical

**October/November 2017**

**1 hour**

Candidates answer on the Question Paper.

No Additional Materials are required.

**READ THESE INSTRUCTIONS FIRST**

Write your Centre number, candidate number and name on all the work you hand in.

Write in dark blue or black pen.

You may use an HB pencil for any diagrams or graphs.

Do not use staples, paper clips, glue or correction fluid.

**DO NOT WRITE IN ANY BARCODES.**

Answer **all** questions.

Electronic calculators may be used.

You may lose marks if you do not show your working or if you do not use appropriate units.

At the end of the examination, fasten all your work securely together.

The number of marks is given in brackets [ ] at the end of each question or part question.

The syllabus is approved for use in England, Wales and Northern Ireland as a Cambridge International Level 1/Level 2 Certificate.

This document consists of **12** printed pages.

- 1 A student is investigating resistance using the circuit shown in Fig. 1.1.

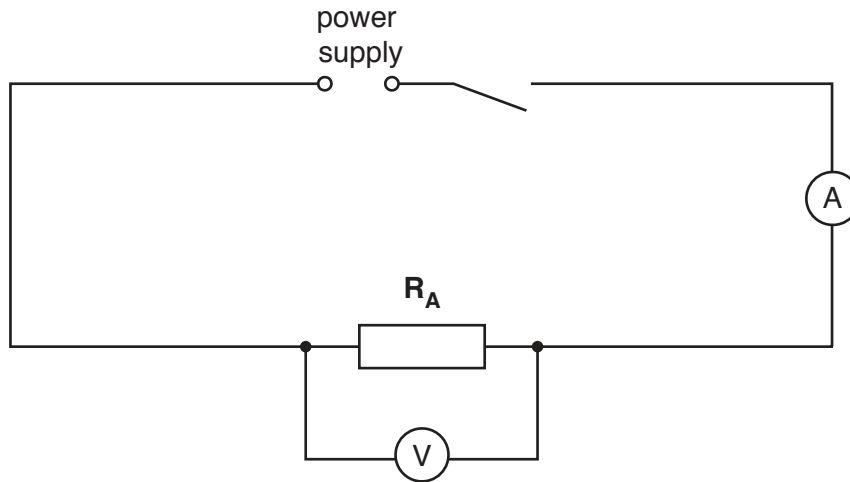


Fig. 1.1

- (a) The student measures the potential difference  $V_1$  across the resistor  $R_A$  and the current  $I_1$  in the circuit. Figs. 1.2 and 1.3 show the voltmeter and ammeter scales.

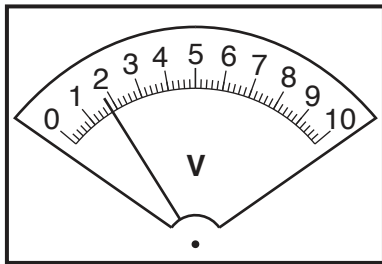


Fig. 1.2

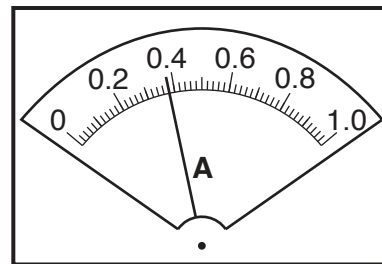


Fig. 1.3

- (i) Write down the readings shown on the scales in Figs. 1.2 and 1.3.

$$V_1 = \dots\dots\dots$$

$$I_1 = \dots\dots\dots$$

[2]

- (ii) Calculate the resistance  $R_1$  of the resistor  $R_A$  using the equation  $R_1 = \frac{V_1}{I_1}$ .

$$R_1 = \dots\dots\dots [1]$$

- (b) The student connects a resistor  $R_B$  in series with  $R_A$ .

She measures the potential difference  $V_2$  across the two resistors  $R_A$  and  $R_B$  combined and the current  $I_2$  in the circuit.

$$V_2 = \dots\dots\dots 1.8\text{V}$$

$$I_2 = \dots\dots\dots 0.19\text{A}$$

Calculate the resistance  $R_2$  of resistors  $R_A$  and  $R_B$  combined in series, using the equation

$$R_2 = \frac{V_2}{I_2}.$$

$$R_2 = \dots\dots\dots[1]$$

- (c) The student connects a third resistor  $R_C$  in series with  $R_A$  and  $R_B$ .

She measures the potential difference  $V_3$  across the three resistors and the current  $I_3$  in the circuit.

$$V_3 = \dots\dots\dots 1.7\text{V}$$

$$I_3 = \dots\dots\dots 0.13\text{A}$$

- (i) Calculate the resistance  $R_3$  of resistors  $R_A$ ,  $R_B$  and  $R_C$  combined in series, using the

equation  $R_3 = \frac{V_3}{I_3}$ .

$$R_3 = \dots\dots\dots$$

(ii) On Fig. 1.4, draw a line for the needle on the ammeter to show the reading of 0.13A.

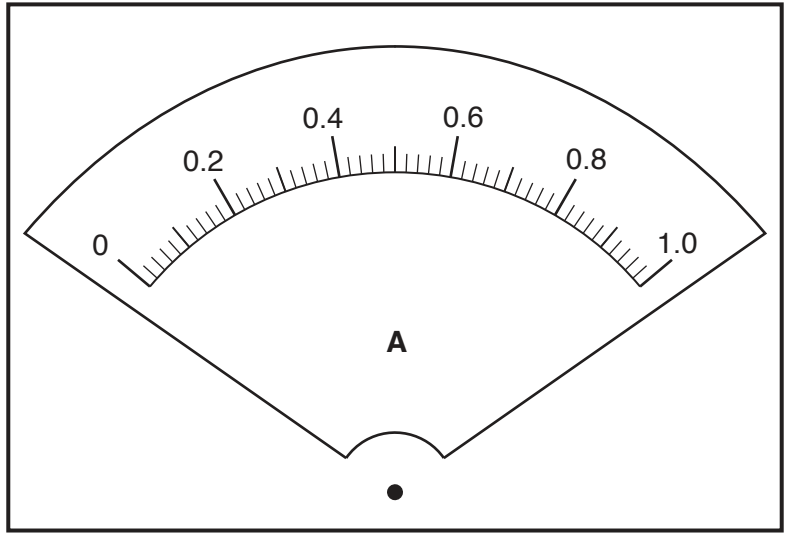


Fig. 1.4

[1]

(d) A student suggests that  $R_3 = 3 \times R_1$ .

State whether the results agree with this suggestion. Justify your answer by reference to the results.

statement .....

justification .....

.....  
 .....

[1]

(e) Another student suggests that the three resistors  $R_A$ ,  $R_B$  and  $R_C$  each have the same value of resistance.

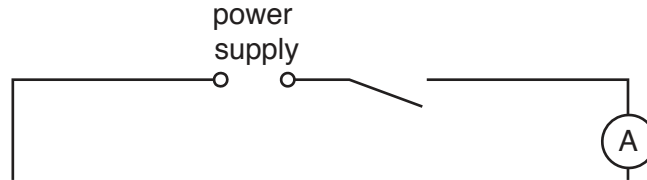
Explain how you could use the circuit shown in Fig. 1.1 to check this suggestion.

.....  
 .....

[1]

(f) Complete the circuit diagram in Fig. 1.5 to show:

- the three resistors connected in parallel
- the voltmeter connected to measure the potential difference across the resistors
- a variable resistor connected to control the current in all three resistors.



**Fig. 1.5**

[2]

(g) The circuit in Fig. 1.5 could be used to determine the combined resistance of three resistors connected in parallel.

Suggest a reason for connecting a variable resistor in the circuit.

.....

.....[1]

[Total: 10]

- 2 A student is determining the focal length  $f$  of a lens.  
Fig. 2.1 shows the apparatus used.

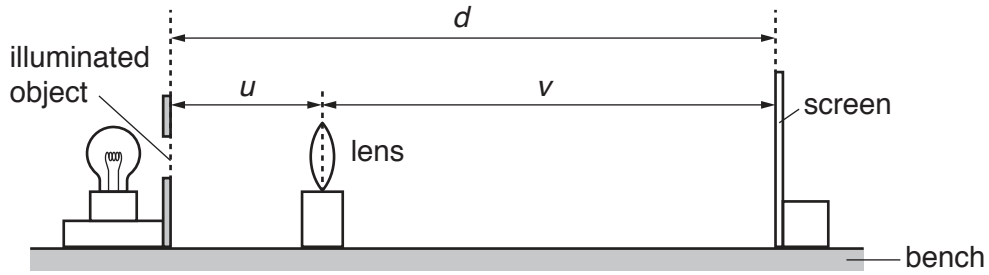


Fig. 2.1

- (a) The student obtains a sharply-focused image on the screen.

- (i) On Fig. 2.1, measure the distance  $v$  from the lens to the screen.

$v =$  .....

- (ii) On Fig. 2.1, measure the distance  $d$  from the illuminated object to the screen.

$d =$  .....

[2]

- (b) Fig. 2.1 is drawn  $1/10^{\text{th}}$  actual size.

- (i) Calculate  $V$ , the actual distance from the lens to the screen. Record the value of  $V$  in the first row of Table 2.1.

- (ii) Calculate  $D$ , the actual distance from the illuminated object to the screen. Record the value of  $D$  in the first row of the table.

- (iii) Calculate  $UV$  and record the result in the table.

[2]

- (c) The student repeated the procedure with the lens at a distance  $U = 30.0$  cm from the illuminated object. All the readings are recorded in the table.

Table 2.1

$U/\text{cm}$	$V/\text{cm}$	$UV/\text{cm}^2$	$D/\text{cm}$
20.0			
30.0	29.5	885	59.5

State **one** difference that you would expect to observe between the image formed on the screen when  $U = 20.0$  cm and when  $U = 30.0$  cm.

.....

.....[1]

- (d) (i) Use the results in the first row of the table to calculate a value  $f_1$  for the focal length of the lens. Use the equation  $f_1 = \frac{UV}{D}$ .

$$f_1 = \dots\dots\dots$$

- (ii) Use the results in the second row of the table to calculate a value  $f_2$  for the focal length of the lens. Use the equation  $f_2 = \frac{UV}{D}$ .

$$f_2 = \dots\dots\dots$$

- (iii) Calculate the average value  $f_A$  for the focal length of the lens. Give your answer to a suitable number of significant figures for this experiment.

$$f_A = \dots\dots\dots$$

[3]

- (e) Suggest **two** reasons why it may be difficult to obtain reliable results in this experiment.

1. ....  
 .....

2. ....  
 .....

[2]

- (f) A student states that a more reliable value for the focal length is obtained if more values of  $U$ ,  $V$  and  $D$  are collected, enabling a graph to be drawn of  $UV$  against  $D$ .

- (i) Suggest a suitable number of values for  $U$ .

.....

- (ii) Suggest a suitable range of values for  $U$ .

.....

[2]

[Total: 12]

- 3 A student is investigating whether the diameter of a pendulum bob affects the period of a pendulum. The period is the time taken for one complete oscillation of the pendulum. Fig. 3.1 shows a pendulum.

Fig. 3.2 shows one complete oscillation.

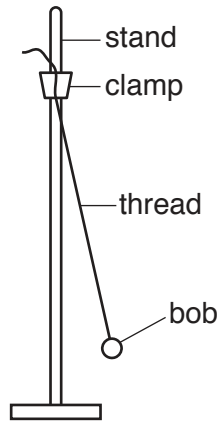


Fig. 3.1

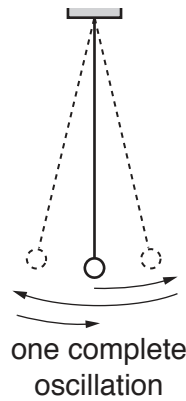


Fig. 3.2

The student has the following apparatus:

pendulum bobs made of polystyrene with diameters 1 cm, 2 cm, 3 cm, 4 cm and 5 cm  
 a supply of thread and a pair of scissors  
 clamp and stand.

Plan an experiment to investigate whether the diameter of a pendulum bob affects the period of a pendulum.

You should:

- list additional apparatus that you would require
- explain briefly how you would carry out the investigation
- state the key variables that you would control
- draw a table with column headings, to show how you would display your readings (You are **not** required to enter any readings in the table.)
- explain briefly how you would use your readings to reach a conclusion.

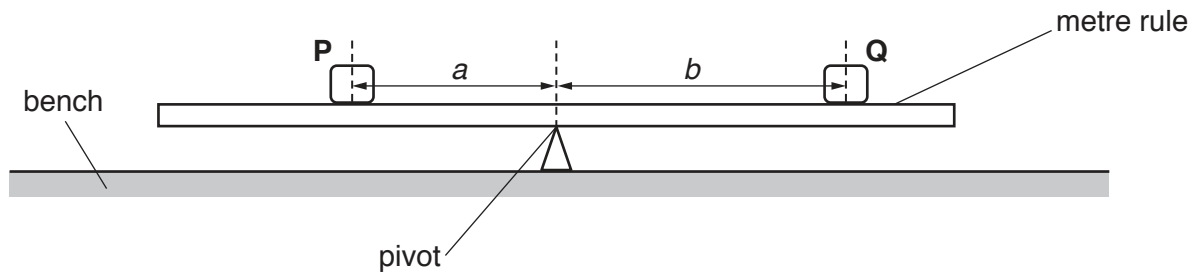


.....[7]

[Total: 7]

- 4 A student is determining the weight of a load using a balancing method.

Fig. 4.1 shows the apparatus used.



**Fig. 4.1**

The student places the metre rule on the pivot and adjusts its position so that the metre rule is as near as possible to being balanced.

He places a load **P** on the metre rule so that its centre is exactly at the 30.0cm mark.

He records the distance  $a$  between **P** and the pivot.

$$a = \dots\dots\dots 19.8 \text{ cm}$$

He places a load **Q** of weight  $Q = 1.0\text{N}$  on the metre rule and adjusts the position of **Q** so that the metre rule is as near as possible to being balanced.

He measures the distance  $b$  between the centre of load **Q** and the pivot.

He repeats the procedure, with the load **P** remaining at the 30.0cm mark, using  $Q$  values of 2.0N, 3.0N, 4.0N and 5.0N. All the readings are recorded in Table 4.1.

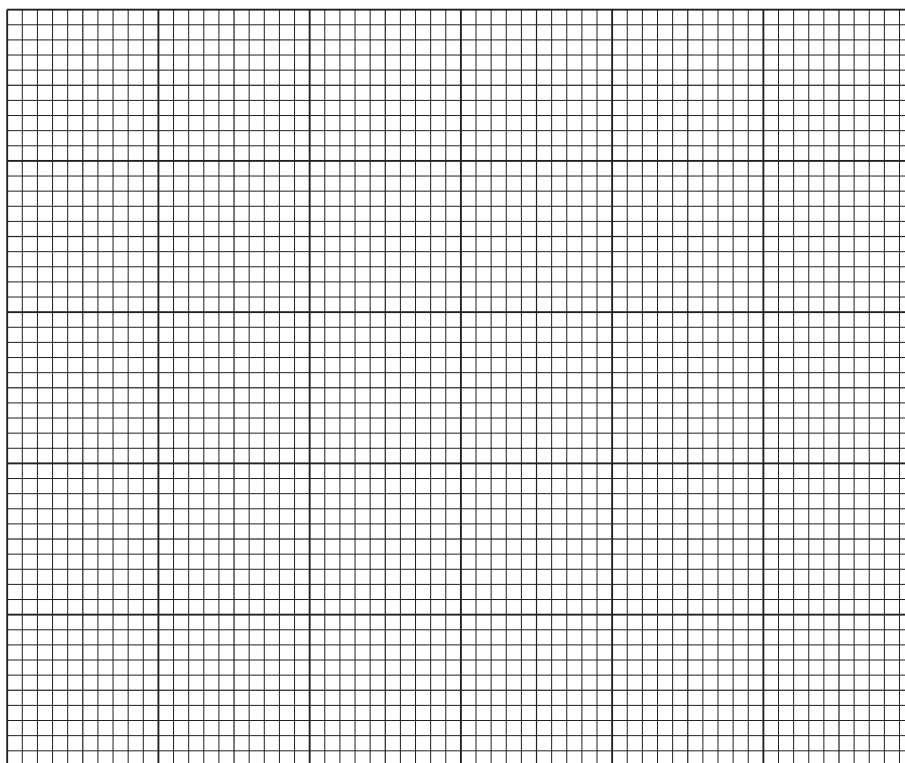
**Table 4.1**

$Q/\text{N}$	$b/\text{cm}$	$\frac{1}{Q/\text{N}}$
1.0	40.0	
2.0	19.5	
3.0	13.5	
4.0	10.5	
5.0	7.5	

- (a) For each value of  $Q$ , calculate  $\frac{1}{Q}$  and record the result in the table.

[1]

- (b) Plot a graph of  $b/\text{cm}$  ( $y$ -axis) against  $\frac{1}{Q}/\frac{1}{N}$  ( $x$ -axis).



[4]

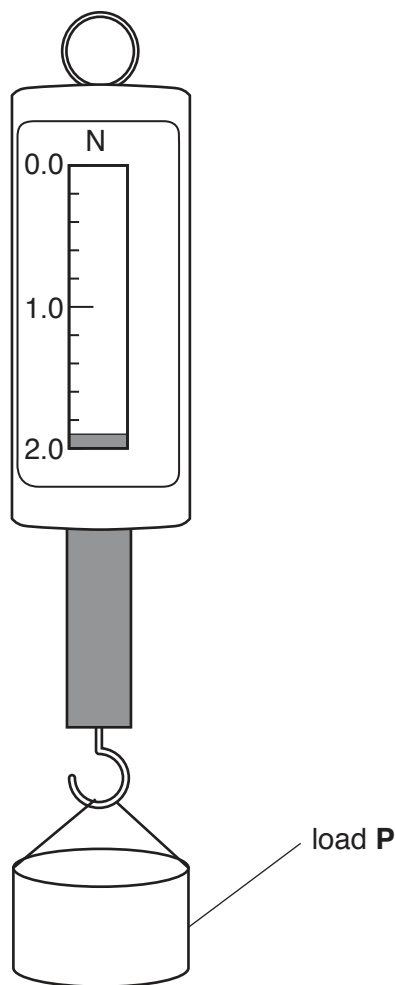
- (c) (i) Determine the gradient  $G$  of the graph. Show clearly on the graph how you obtained the necessary information.

$$G = \dots\dots\dots [2]$$

- (ii) Calculate the weight  $P$  of load **P** using the equation  $P = \frac{G}{a}$ , where  $a = 19.8 \text{ cm}$ .

$$P = \dots\dots\dots [1]$$

- (d) The student measures the weight  $P$  of load **P** using a forcemeter. Fig. 4.2 shows the forcemeter.



**Fig. 4.2**

Write down the reading  $P$  shown on the forcemeter.

$P = \dots\dots\dots$  N [1]

- (e) The student has carried out the experiment with care and is expecting the two values of  $P$  in (c) and (d) to be the same.

Suggest **two** reasons why the values of  $P$  may be different.

1. ....

.....

2. ....

.....

[2]

[Total: 11]

Permission to reproduce items where third-party owned material protected by copyright is included has been sought and cleared where possible. Every reasonable effort has been made by the publisher (UCLES) to trace copyright holders, but if any items requiring clearance have unwittingly been included, the publisher will be pleased to make amends at the earliest possible opportunity.

To avoid the issue of disclosure of answer-related information to candidates, all copyright acknowledgements are reproduced online in the Cambridge International Examinations Copyright Acknowledgements Booklet. This is produced for each series of examinations and is freely available to download at [www.cie.org.uk](http://www.cie.org.uk) after the live examination series.

Cambridge International Examinations is part of the Cambridge Assessment Group. Cambridge Assessment is the brand name of University of Cambridge Local Examinations Syndicate (UCLES), which is itself a department of the University of Cambridge.